

EMERGENCY STOP BUTTON ELECTRO THERMAL LINK

EK.. EL-72

EK.. Emergency Stop/Panic button, cuts power supply in the event of an emergency. It can be used for many applications.

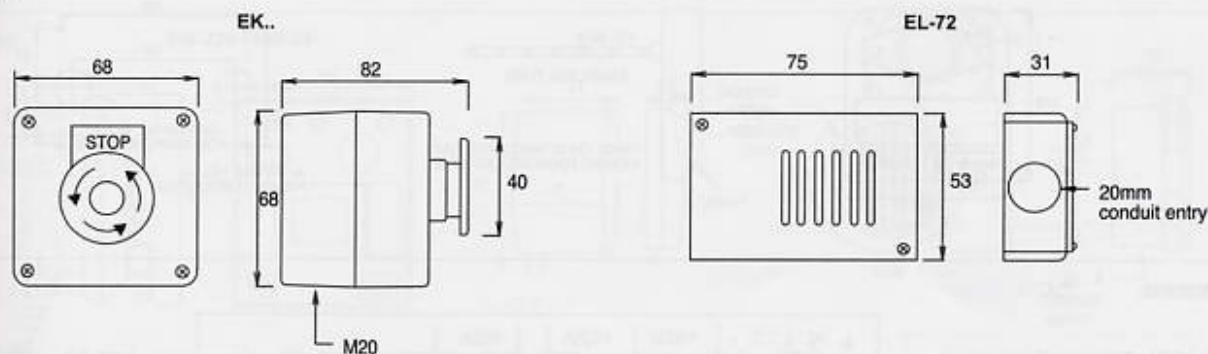
EL.. Electro Thermal Link, contains a fuse which melts when excessive ambient temperature is detected breaking the power supply to safety valves etc.



Terminals 0.5-2.5mm
Enclosure Flammability:
EK.. = UL94-V0
EL-72 = Metal
Volt free contacts

Type	Description	Electrical rating 24/110/230VAC	Operation	Enclosure
EK-10	Emergency Stop / Panic Button	10(6)A	Push to break circuit - TURN TO RESET	IP65
EK-25	Emergency Stop / Panic Button	10(6)A	Push to break circuit - USE KEY TO RESET	IP65
EL-72	Electro Thermal Link	10A Fuse melts at $\leq 72^{\circ}\text{C}$	For replaceable thermal fuse - see accessories	IP30

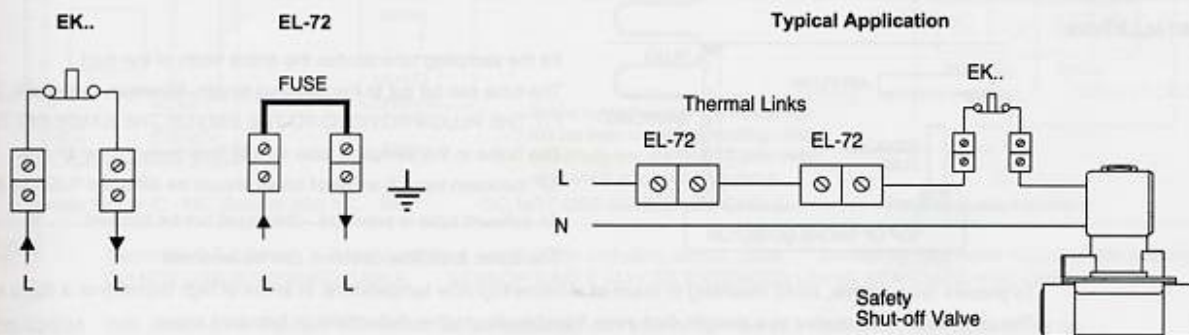
DIMENSIONS:



ACCESSORIES:

EE-SF72 Spare fuse for EL-72

WIRING:



INSTALLATION:

EL-72 The unit should be fitted between 0.3 to 1.3m directly above the potential fire hazard with the slotted lid facing downwards. It can be suspended by metal conduit. Allow free unrestricted airflow through the enclosure. The ventilation holes in the box must not be covered.

EK.. For boiler plant control wire in series with a thermal link to break the electrical supply to a safety shut-off valve and associated equipment.